

10G 300m SFP+ Transceiver

ET5402-SR



Product Features

- Compliant with SFP+ MSA
- Data Rate 10.3125 Gbps
- VSCSEL Laser and PIN receiver
- Single 3.3V power supply
- 300m links on OM3 multimode fiber or 400m links on OM4 multimode fiber
- LC duplex receptacle
- Low power dissipation (<1W)
- Hot Pluggable
- Built in digital diagnostic Functions
- RoHS compliant
- Commercial operating temperature: 0°C to +70°C

Applications

- 10GBASE-SR 10Gigabit Ethernet
- High-speed storage area networks
- Computer cluster cross-connect
- Custom high-speed data pipes

Descriptions

The ET5402-SR transceivers are high-performance, cost-effective modules supporting a data rate of 10Gbps and a 300 m (OM3) or 400 m (OM4) transmission distance with MMF. The transceivers are compatible with SFP+ Multi-Source Agreement (MSA) for further information, please refer to SFP MSA.

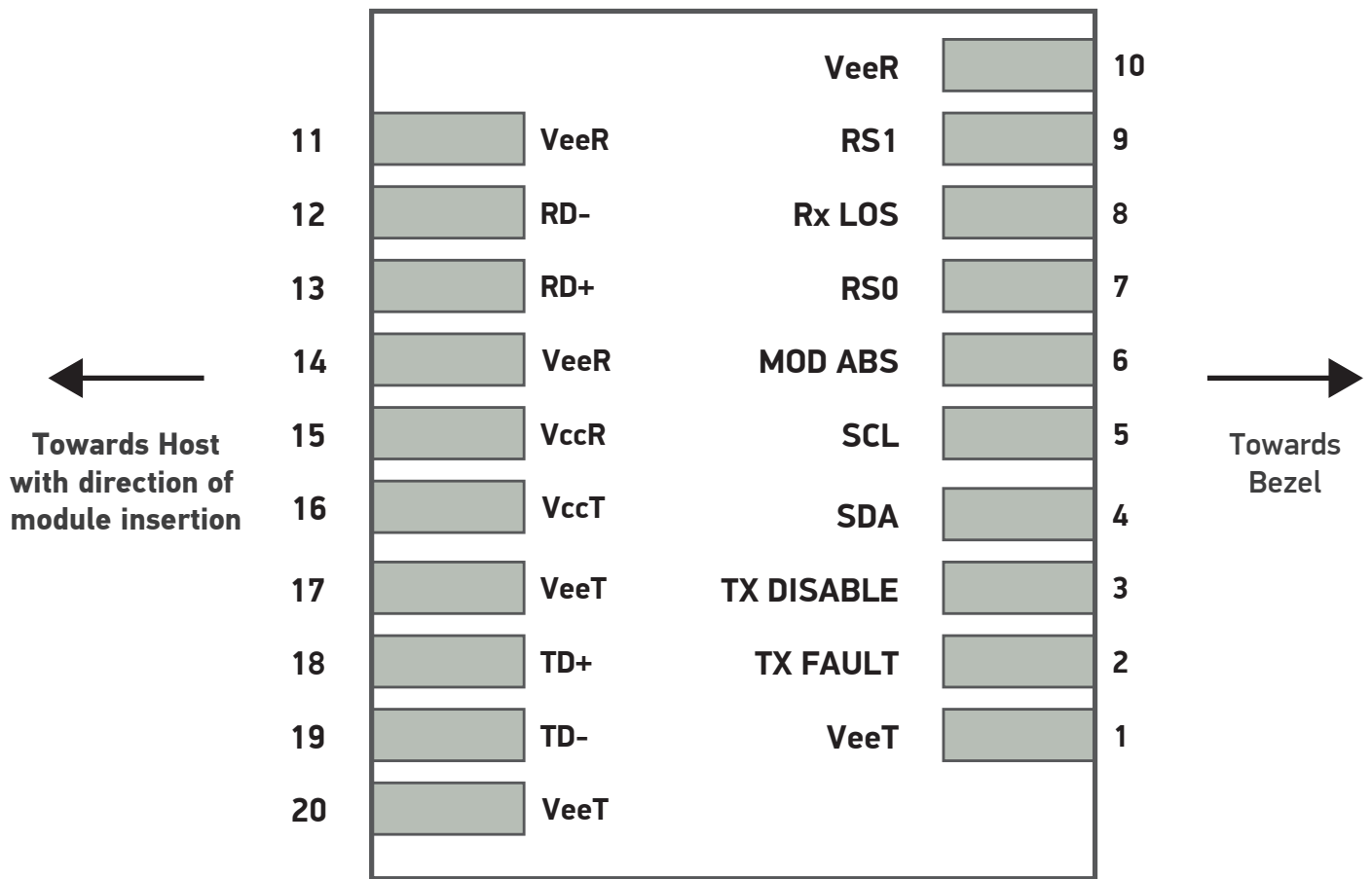
Ordering Information

Part Number	Transmitter	Output Power	Sensitivity	Reach	Temp	DDM	RoHS
ET5402-SR	850 nm	-6.0 ~ -1.0 dBm	-10.0 ~ 0.5 dBm	300 m (1) 400 m (1)	0~ 70 °C	Available	Compliant

Notes:

1. 300 m links on OM3 multimode fiber or 400m links on OM4 multimode fiber.

Pin Description



Absolute Maximum Ratings

Stresses in excess of the absolute maximum ratings can cause permanent damage to the device. These are absolute stress ratings only. Functional operation of the device is not implied at these or any other conditions in excess of those given in the operational sections of the data sheet. Exposure to absolute maximum ratings for extended periods can adversely affect device reliability.

Parameter	Symbol	Min.	Max.	Unit
Storage Temperature	Ts	-40	85	°C
Relative Humidity	RH	5	95	%
Supply Voltage	Vcc	-0.3	4	V

Recommended Operating Conditions

Parameter	Symbol	Minmum	Typical	Maxmum	Unit
Operating Case Temperature	Tc	0		70	°C
Supply Voltage	Vcc	3.14	3.3	3.47	V
Data Rate PER Channel	-	-	10.3125	-	Gb/s

Transceiver Electrical Characteristics

Parameter	Symbol	Minmum	Typical	Maxmum	Unit	Note
Transmitter Differential Input Voltage	Vin	mVpp		100		
Receiver Differential Output Voltage	Vo	mVpp	300		850	

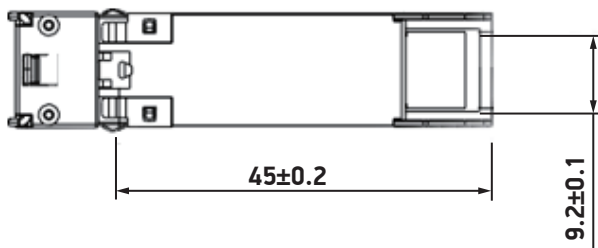
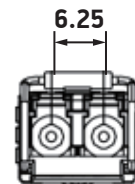
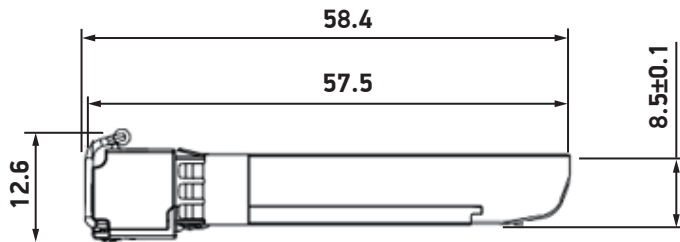
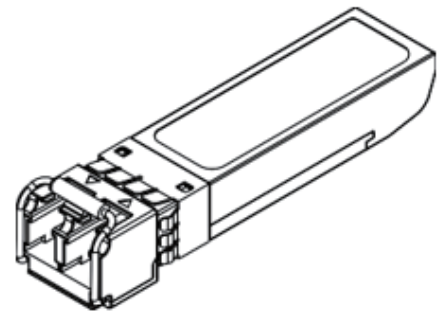
Transmitter Optical Characteristics

Parameter	Symbol	Minmum	Typical	Maxmum	Unit	Note
Launch Optical Power	Po	-6.0		-1	dBm	-
Center Wavelength Range	λ_c	840	850	860	nm	-
Extinction Ratio	ER	3.0	-	-	dB	-

Receiver Optical Characteristics

Parameter	Symbol	Minmum	Typical	Maxmum	Unit	Note
Center Wavelength	λ_c	770	850	860	nm	-
Receiver Sensitivity in Average Power	Sen	0.5		-10	dBm	-

Mechanical Specifications



Units in mm

Warranty

Please check www.edge-core.com for the warranty terms in your country.

For More Information

To find out more about Edgecore Networks Corporation products and solutions, visit www.edge-core.com.

About Edgecore Networks Corporation

Edgecore Networks Corporation is in the business of providing innovative network solutions. In the service provider network, in the data center or in the cloud, Edgecore Networks Corporation delivers the software and systems that transform the way the world connects. Edgecore Networks Corporation serves customers and partners worldwide. Additional information can be found at www.edge-core.com.

Edgecore Networks Corporation is a subsidiary of Accton Technology Corporation, the leading network ODM company. The Edgecore data center switches are developed and manufactured by Accton.

To purchase Edgecore Networks solutions, please contact your Edgecore Networks Corporation representatives at +886 3 563 8888 (HQ) or +1 (949)-336-6801 or authorized resellers.

© Copyright 2025 Edgecore Networks Corporation. The information contained herein is subject to change without notice. This document is for informational purposes only and does not set forth any warranty, expressed or implied, concerning any equipment, equipment feature, or service offered by Edgecore Networks Corporation. Edgecore Networks Corporation shall not be liable for technical or editorial errors or omissions contained herein.