

Quick Start Guide

32-Port 400G Ethernet Switch

AS9737-32DB



www.edge-core.com

Package Contents



1



2



3



4



5



6

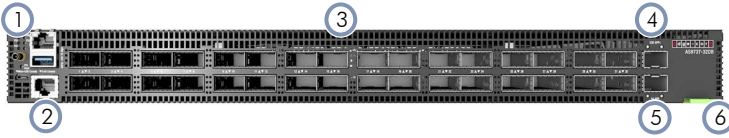


7

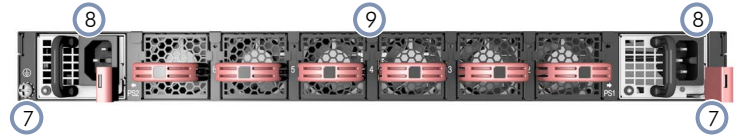
1. 32-Port 400G Ethernet Switch AS9737-32DB
2. Rack mounting kit—2 front-post brackets, 2 rear-post brackets and ears, 20 screws, and 2 ear-locking screws
3. Power cord (included with AC PSUs only)
4. Console cable—RJ-45 to DE-9

5. DC power cable (included with DC PSUs only)
6. Grounding wire
7. Documentation—*Quick Start Guide* (this document) and *Safety and Regulatory Information*

Overview

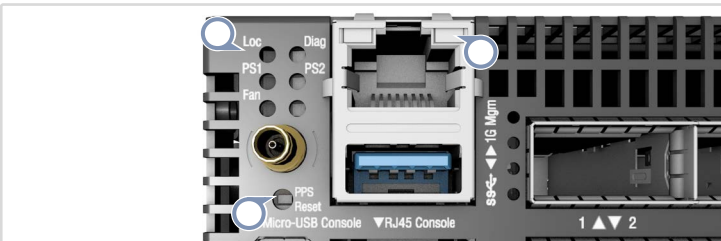


1. System LEDs and 1PPS timing port
2. Management Ports: 1 x 1000BASE-T RJ-45, micro-USB/RJ-45 console, USB
3. 32 x 400G QSFP-DD ports
4. 1 x 10G SFP+ port



5. 1 x 1G SFP management port
6. Product label
7. 2 x grounding screws (maximum torque 10 kgf-cm (8.7 lb-in))
8. 2 x AC or DC PSUs
9. 6 x fan trays

System LEDs/Buttons



- Loc:** Flashing Amber (switch locator)
- Diag:** Green (OK), Amber (fault)
- PS1/PS2:** Green (OK), Amber (fault)
- Fan:** Green (OK), Amber (fault)

Reset Button

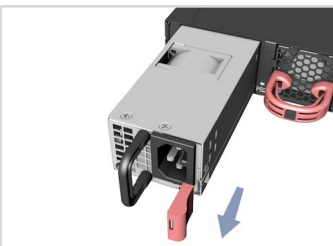
- SFP+ 10G LEDs:** Left: Green (10G), Amber (1G) | Right: Activity
- SFP/RJ-45 Mgmt LEDs:** Left: Amber (link) | Right: Amber (activity)



QSFP-DD LEDs

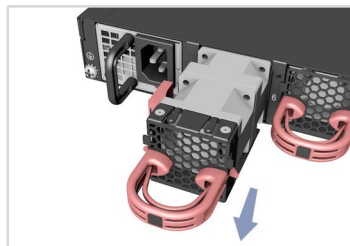
- 400G (50G PAM4): 1 LED Blue
- 2 x 200G Breakout (50G PAM4): 1 LED Cyan, 1 LED Green
- 4 x 100G Breakout (50G PAM4): 4 LEDs Green
- 100G (25G NRZ): 1 LED Green
- 4 x 25G Breakout (25G NRZ): 1 LED Orange, 3 LEDs Green
- 40G (10G NRZ): 1 LED Dark Green
- 4 x 10G Breakout (10G NRZ): 1 LED Yellow, 3 LEDs Green

FRU Replacement



PSU Replacement

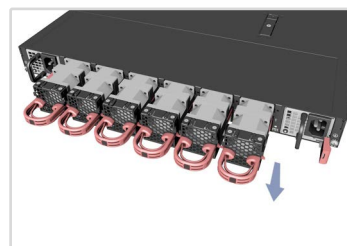
1. Remove the power cord.
2. Press the release latch and remove the PSU.
3. Install replacement PSU with matching airflow direction.



Fan Tray Replacement

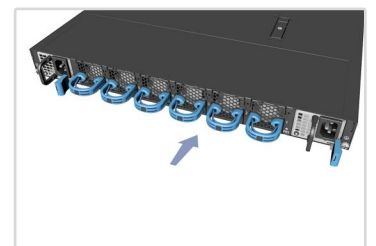
1. Pull the handle release latch.
2. Remove fan tray from the chassis.
3. Install replacement fan with matching airflow direction.

Airflow Reversal



1. F2B Airflow

- Remove front-to-back (F2B) airflow fan trays (red handles) and PSUs (red release latches).



2. B2F Airflow

- Install back-to-front (B2F) airflow fan trays (blue handles) and PSUs (blue release latches).



* 1 5 0 2 0 0 0 2 6 5 4 A R 0 1 *

Installation



Warning: For a safe and reliable installation, use only the accessories and screws provided with the device. Use of other accessories and screws could result in damage to the unit. Any damages incurred by using unapproved accessories are not covered by the warranty.

Avertissement: Pour une installation sûre et fiable, utilisez uniquement les accessoires et les vis fournies avec l'appareil. L'utilisation d'autres accessoires et vis pourrait endommager l'appareil. Les dommages causés par l'utilisation d'accessoires non approuvés ne sont pas couverts par la garantie.



Caution: The device includes plug-in power supply (PSU) and fan tray modules that are installed into its chassis. Make sure all installed modules have a matching airflow direction (front-to-back or back-to-front).

Attention: L'appareil comprend des modules d'alimentation et de modules de ventilation installés dans son châssis. Assurez-vous que tous les modules installés ont une direction d'air adaptée (avant-arrière ou arrière-avant).



Note: The device has the Open Network Install Environment (ONIE) software installer preloaded, but no device software image. Information about compatible software can be found at www.edge-core.com.

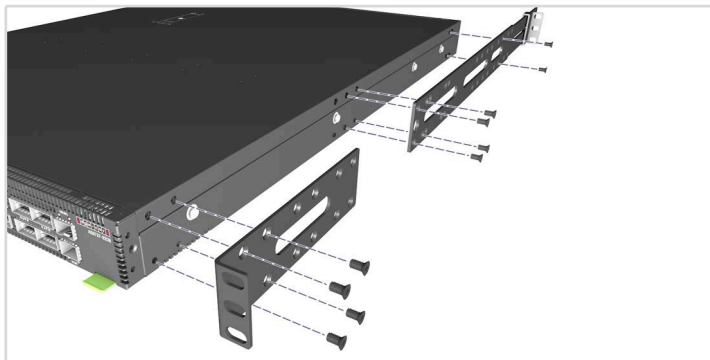
Note: The drawings in this document are for illustration only and may not match your particular model.

1 Mount the Device



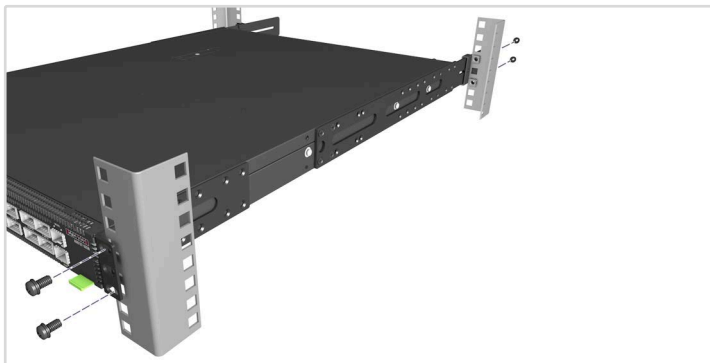
Caution: This device must be installed in a telecommunications room or a server room where only qualified personnel have access.

Attention: Cet appareil doit être installé dans une salle de télécommunications ou une salle de serveurs où seul le personnel qualifié a accès.



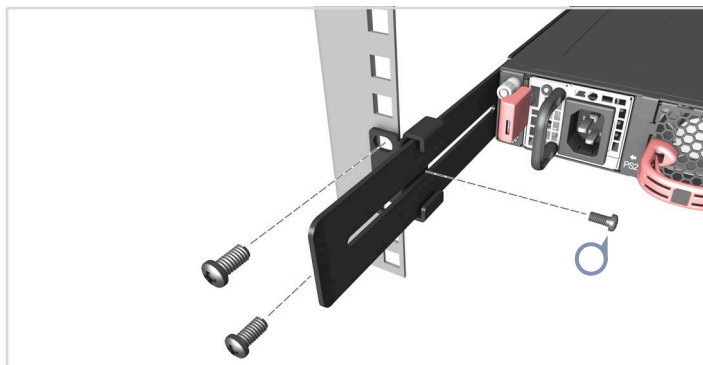
1. Attach the Brackets

Use the included screws to attach the front- and rear-post brackets.



2. Mount the Device

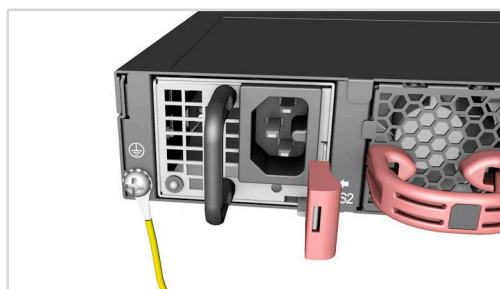
Mount the device in the rack and secure it with rack screws.



3. Lock the Rear-Post Brackets

Use the included screws to lock the position of the rear-post brackets.

2 Ground the Device



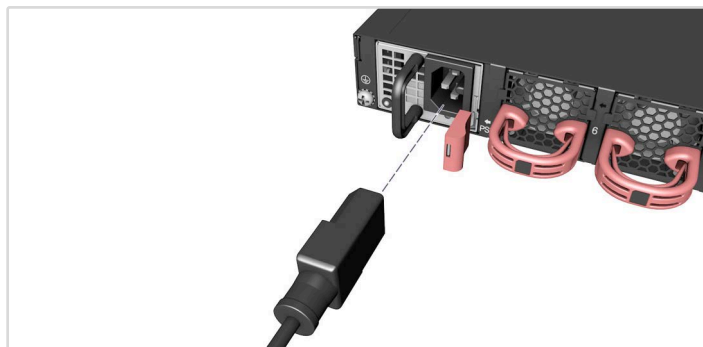
Verify Rack Ground

Ensure the rack on which the device is to be mounted is properly grounded and in compliance with ETSI ETS 300 253. Verify that there is a good electrical connection to the grounding point on the rack (no paint or isolating surface treatment).

Attach Grounding Wire

Attach the included grounding wire to the grounding point on the device rear panel. Then connect the other end of the wire to rack ground.

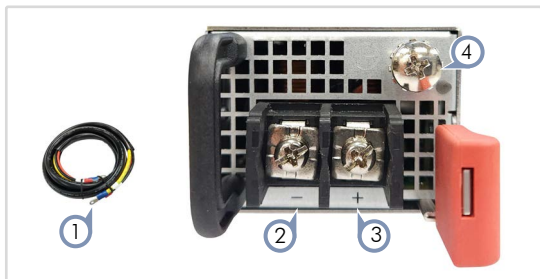
3 Connect Power



Install one or two AC or DC PSUs and connect them to an AC or DC power source.



Note: When using only one AC PSU to power a fully loaded system, be sure to use a high-voltage source (200–240 VAC).

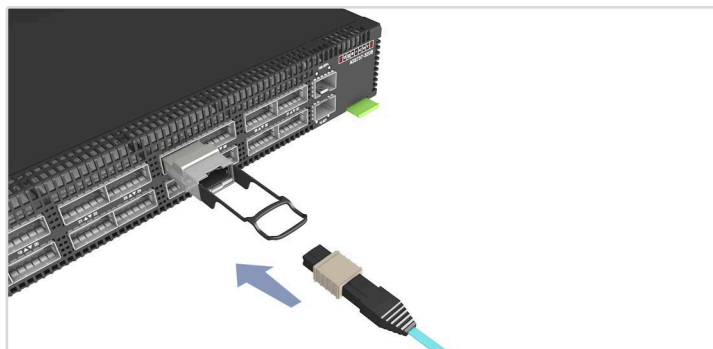


1. Use the DC power cable included with the DC PSU.
2. -40 – -75 VDC
3. DC return
4. Ground

Caution: Use a UL/IEC/EN 60950-1 and/or 62368-1 certified power supply to connect to a DC converter.
Attention: Utilisez une alimentation certifiée UL/IEC/EN 60950-1 et/ou 62368-1 pour le connecter à un convertisseur CC.
Caution: All DC power connections should be performed by a qualified professional.
Attention: Toutes les connexions d'alimentation CC doivent être effectuées par un professionnel qualifié.

Note: Use #8 AWG / 6 mm² copper wire (for a -40 to -75 VDC PSU) to connect to a DC PSU.

4 Make Network Connections



400G QSFP-DD Ports and 10G SFP+ Port

Install transceivers and then connect fiber optic cabling to the transceiver ports.
 Alternatively, connect DAC or AOC cables directly to the slots.

Note: The upper 16 ports support up to 24 W per port, and the lower 16 ports support up to 14 W per port.

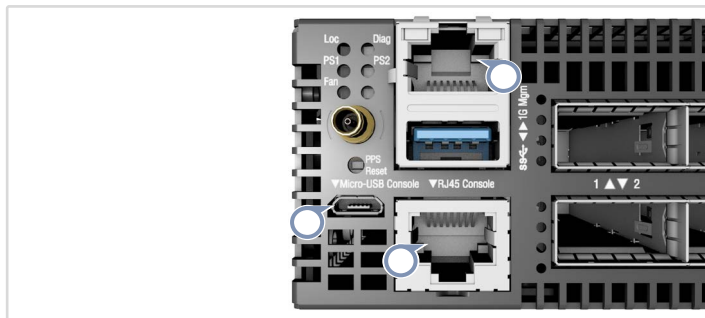
5 Connect Timing Ports



PPS Port

Use a coax cable to connect the 1-pulse-per-second (1PPS) port to another synchronized device.

6 Make Management Connections



10/100/1000M RJ-45 Management Port

Connect Cat. 5e or better twisted-pair cable.

1G SFP Management Port

Install a 1G transceiver and then connect fiber optic cabling to the transceiver port.

Micro-USB and RJ-45 Console Ports

Connect the included console cable and then configure the serial connection: 115200 bps, 8 characters, no parity, one stop bit, 8 data bits, and no flow control.

(The Micro-USB console connection takes priority over the RJ-45 console connection.)

Hardware Specifications

Switch Chassis

Size (WxDxH)	438.4 x 590 x 43.5 mm (17.26 x 23.23 x 1.71 in.)
Weight	11.88 kg (26.16 lb), with 2 PSUs and 6 fans installed
Temperature	Operating (F2B): 0° C to 45° C (32° F to 113° F) Operating (B2F): 0° C to 30° C (32° F to 86° F) Storage: -40° C to 70° C (-40° F to 158° F)
Humidity	Operating: 5% to 95% (non-condensing)

AC PSU

Input Power Rating	100–127 VAC, 50-60 Hz, 12 A max. (1000 W max.)
	200–219 VAC, 50-60Hz, 8 A max.
	220–240 VAC, 50-60 Hz, 8 A max. (1500 W max.)

DC PSU

Power Rating	-48 VDC, 1600 Watts
DC Input	-40 V – -75 V, 40 A maximum

Regulatory Compliances

Emissions	EN 55032 Class A
	EN 61000-3-2
	EN 61000-3-3
	CNS 15936 Class A
	VCCI-CISPR 32 Class A
	AS/NZS CISPR 32 Class A
Immunity	ICES-003 Issue 7 Class A
	FCC Class A
Safety	EN 55035
	IEC 61000-4-2/3/4/5/6/8/11
	UL (CSA 22.2 No 62368-1 & UL62368-1) CB (IEC/EN 62368-1) CNS15598-1