

Quick Install Guide

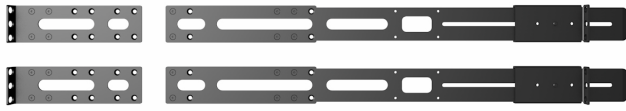
4-Post Rackmount Bracket Kit

RKIT-L-4625



www.edge-core.com

Package Contents



①

②

1. Two (left and right) front post brackets
2. Two (left and right) rear post brackets



③



④

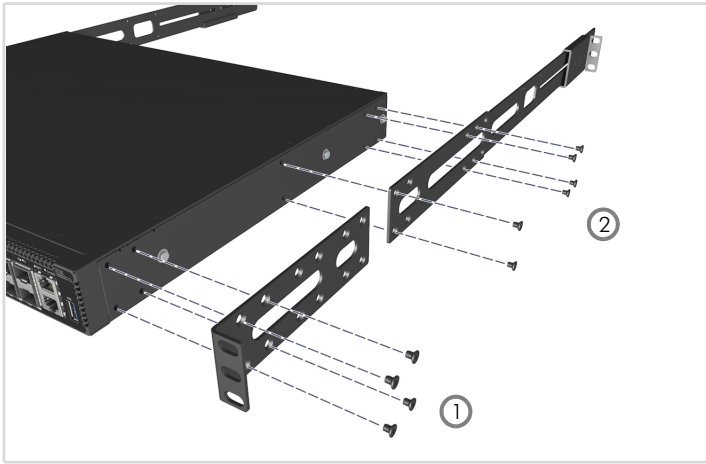


⑤

3. 20 M4 bracket screws
4. 2 position-locking screws for rear bracket ears
5. Documentation—*Quick Install Guide* (this document)

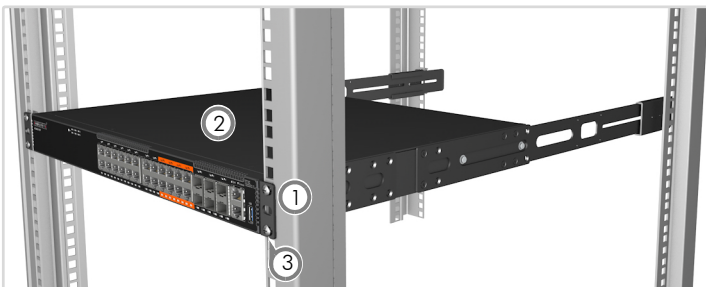
Installation

1 Attach the Brackets



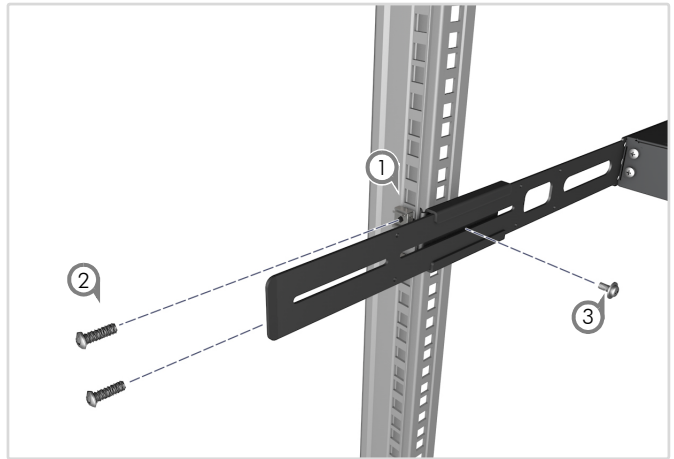
1. Attach each of the two front-post brackets to the front of the switch using four of the included bracket screws.
2. Attach each of the two rear-post brackets to the rear of the switch using six of the included bracket screws.

2 Mount the Switch



1. Following your rack plan, mark the holes in the rack where you want to install the switch.
2. Lift the switch into the rack and align it with the marked holes.
3. Secure the front-post brackets to the rack using four screws and cage nuts supplied with the rack.

3 Adjust Rear-Post Bracket Ears



1. Adjust the rear-post bracket ears to fit the depth of the rack.
2. Secure the rear post brackets to the rack rear posts using four screws and cage nuts supplied with the rack.
3. Lock the position of the rear-post bracket ears using the included position-locking screws.



* 1 5 0 2 0 0 0 2 8 5 8 A R 0 1 *