



SMCWHS14-G

EliteConnect™ 2.4GHz 802.11g Wireless Hotspot Gateway

OVERVIEW

The SMC EliteConnect™ 2.4GHz 802.11g Wireless Hotspot Gateway (SMCWHS14-G) is a multi-functional, all-in-one hotspot solution that provides: 1) a secure gateway to the Internet, 2) high-speed wireless access within the Local Area Network, 3) Authentication, Authorization and Accounting (AAA) services for wireless or wired clients, and 4) support for point-of-sale ticket/receipt printing. The SMCWHS14-G provides a 4-port 10/100 LAN switch and one 10/100 WAN port with PoE support. Combined with a built-in 802.11g 54Mbps access point, the SMCWHS14-G supports security features such as 64/128-bit WEP and WPA encryption, NAT, wireless client isolation, and MAC address filtering to ensure a secure Internet environment for your premises.



**POS Ticket Printer
Included**

The SMCWHS14-G is easy to configure through a web-based management interface, which supports AAA (Authentication, Authorization and Accounting) services via 802.1x/RADIUS server and client devices or by its built-in local database that can host up to 512 entries. The SMC hotspot gateway also comes with a small form-factor, point-of-sale ticket printer, so a hotspot venue can print tickets for temporary users that only need the fractal time for Internet access. In addition, important client information such as logon username and password, SSID, security method and encryption key can be printed on the ticket. The POS printer enables easy-to-use, flexible billing methods and provides connection to common payment gateways such as Authorize.net, iValidate.net, Secure Pay or easy Credit Card payment, and PayPal over the Internet.

The SMC hotspot gateway enables installation of secure, easy to manage hotspots as a one-box solution. The SMCWHS14-G is a perfect solution for hotspot environments such as coffee shops, Internet cafes, hotel lobbies, exhibition areas and small to mid-sized transportation centers where Internet Access is an added value as guest-services.

KEY FEATURES

Wireless AP/Router

Built-in wireless access point supports data rates up to 54Mbps in 802.11g and up to 11Mbps in 802.11b with auto-fallback feature. Provides 4 RJ-45 10/100Mbps LAN connections and 1 RJ-45 10/100Mbps WAN connection with PoE support.

POS Ticket Printer

Includes an external point-of-sale ticket printer. Hotspot venue can print tickets for temporary users that only need the fractal time for Internet access. Information on the ticket includes access time, logon username and password, SSID, security method and encryption key.

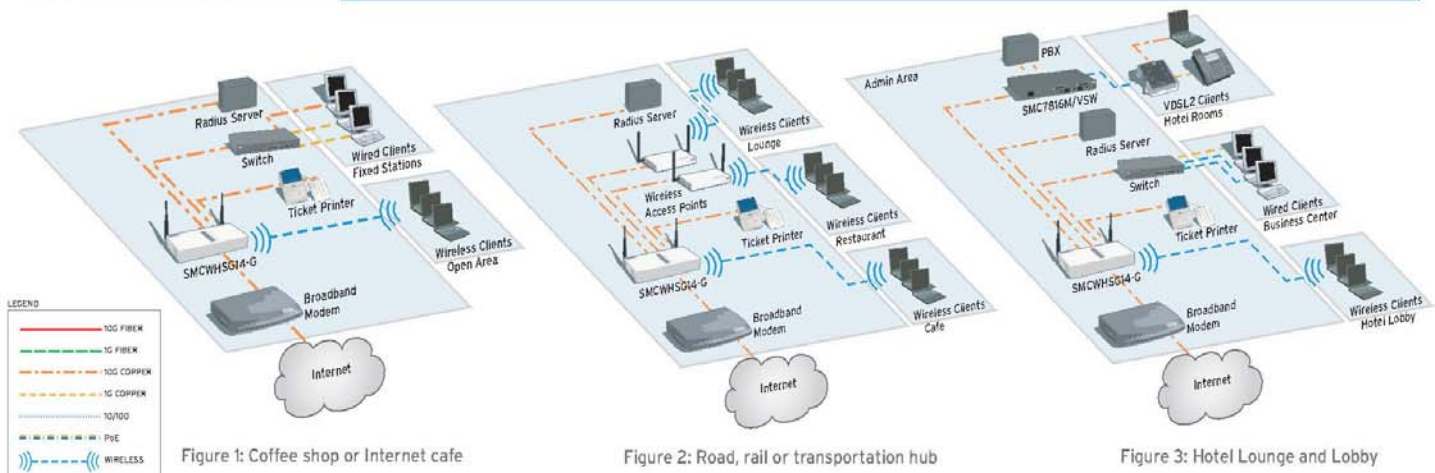
AAA

Authentication, Authorization and Accounting (AAA) services are supported via 802.1x/RADIUS client and server devices. It also supports an internal database of up to 512 entries so no additional Radius Server is required.

Flexible Billing

Easy to use Pre-paid and Post-paid billing methods included. Provides connection to common payment gateway including Authorize.net, iValidate.net, Secure Pay for easy Credit Card payment and PayPal over the Internet.

APPLICATION DIAGRAM



TECH SPECS - SMCWHS14-G

STANDARDS

- IEEE802.3, IEEE802.3U
- IEEE802.3x, IEEE802.3af
- IEEE802.1x
- IEEE802.11b, IEEE802.11g

NETWORK SPECIFICATION

- IP Plug and Play (IPnP)
- HTTP Proxy Support
- SMTP Server Redirection
- DHCP Server
- DHCP Relay
- Static IP WAN Client
- DHCP WAN Client
- PPPoE WAN Client
- PPTP WAN Client
- NAT
- NTP (Network Time Protocol) Support
- DDNS
- Supports 100 Simultaneous Users

OPERATION MODE

- WLAN: Access Point
- Network: Gateway (Router / Switch)

INTERFACE

- Four LAN Ports (10BaseT/100BaseTX Auto cross-over)
- One WAN Port (10BaseT/100BaseT) Support
- Power over Ethernet
- One Serial Port (for RD debug)

EXTERNAL ANTENNA TYPE

- 2dBi (Max) Dual detachable diversity antenna with reverse SMA
- Typing Maximum power output 17dBm
- Typing Maximum receive sensitivity -87dBm

WIRELESS OPERATION RANGE

- Open Space: 100~300m
- Indoors: 35~100m

MODULATION TYPE

- 802.11b DSSS (DBPSK, DQPSK, CCK)
- 802.11g OFDM (BPSK, QPSK, 16-QAM, 64-QAM)

WIRELESS DATA RATE

- 802.11b 11, 5.5, 2, 1Mbps
- 802.11g 54, 48, 36, 24, 18, 12, 9, 6Mbps Auto Fall Back with 802.11b

CHANNEL SUPPORT

- US/Canada: 1~11 channel
- Major European Country: 1~13 channel
- France: 10~13 channel
- Japan: 802.11b 1~13 or 14th channel; 802.11g 1~13 channel
- China: 1~13 channel
- Australia: 1~13 channel

ENCRYPTION

- Layer 2 Isolation Security
- SSL User Login page/ Configuration Page
- SSL Administration
- VPN Pass through (IPSec/PPTP)
- Customize SSL Certificate
- Pass Through IP/MAC/URL Address
- Restricted Destination Filtering IP/URL
- VPN (IPSec/PPTP) Pass through
- PPTP VPN Client
- 64/128-bit WEP
- WPA

POWER REQUIREMENT

- External Power Adapter
- Adapter Input: 100-240 VAC, 50/60 Hz, Output: 5V, 2.5A
- Device Input: 5V, 2.5A
- Power over Ethernet (PoE)

LED INDICATORS

- One POWER LED
- One WAN Link/Activity LED
- Four LAN Link/Activity LEDs
- One Wireless Link/Activity LED
- One Status LED

DIMENSION

- 220(L) x 128(W) x 35(H) mm w/o antennas
- 8.7(L) x 5(W) x 1.4(H) in w/o antennas

WEIGHT

- 471g/1lb with antennas

ENVIRONMENT CONDITIONS

- Operating Temperature: 0° to 50°C
- Storage Temperature: -10°~70°C
- Humidity: 10% to 90% non-condensing ; 10% to 80% condensing

CERTIFICATION

- FCC Part 15B, CE

COMPLIANCE

- RoHS, WEEE

MOUNTING

- Desktop / Wall mounted

SMCWHS14-G SOFTWARE SPECIFICATION

NETWORKING

- IEEE 802.11b Wireless LAN
- IEEE 802.11g Wireless LAN
- Supports 100 Simultaneous Users
- IP Plug and Play
- HTTP Proxy Support
- SMTP Server Redirection
- DNS Redirection
- DHCP Server
- DHCP Relay
- Static IP WAN Client
- DHCP WAN Client
- PPPoE WAN Client
- PPTP WAN Client
- NAT
- NTP (Network Time Protocol) Support
- DDNS

MARKETING COOPERATION

- Advertisement URL link
- Walled garden
- Customizable log-on and log-off pages
- Portal Page
- WISPr Smart Client

USER AUTHENTICATION

- Built-in Authentication
- Web-based Authentication
- RADIUS AAA Support (RFC 2865, 2866)
- Secondary RADIUS
- User Authentication and Accounting
- Logout Window Timer Control

MANAGEMENT

- Web-based Management Tool
- Firmware Upgrade via HTTP/TFTP
- Wizard setup for step-by-step Configuration
- Backup/Restore/Factory Default Setting
- Remote Authorized Management
- Real-time Session List
- LAN Device Management
- Syslog (System/Subscriber/LAN device)
- E-mail logs
- SNMP v1/v2 (MIB II, Private MIB)
- System Information Table
- Status Report (Daily/Monthly/System/Network)
- SSL certificate upload
- (Hardware Watchdog)

POS THERMAL PRINTER

INTERFACE

- One RJ-45 Ethernet Port (supports Power over Ethernet)
- One PS/2

POWER REQUIREMENT

- External Power Adapter
- Adapter Input: 100-240 VAC, 50/60 Hz, Output: DC 5V, 2.5A
- Device Input: DC 5V, 2.5A
- Power over Ethernet (PoE)

PRINT WIDTH

- 48 mm (Paper width: 58mm)

PAPER LENGTH

- 50M

CERTIFICATION

- VCCI, C-Tick, CE, FCC, CSA

DIMENSION

- 150(L) x 110(W) x 92(H) mm
- 6(L) x 4.3(W) x 3.6(H) in

WEIGHT

- 333g/.75lb

WARRANTY

- Limited Lifetime

CONTACT

North America
20 Mason
Irvine, CA 92618
1-800-SMC-4YOU
24/7 Technical Support

Europe/Africa
Fructuos Gelabert 6-8
08970 Sant Joan Despí
Barcelona, Spain

Check www.smc.com for your local country contact information

© 2008 SMC Networks. SMC and the SMC logo are registered trademarks of SMC Networks in the United States or other countries. Other trademarks or registered trademarks are the property of their respective owners. Information is subject to change without notice. All rights reserved.
11/2008