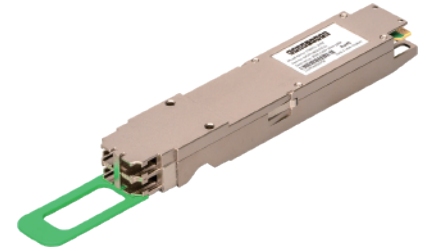


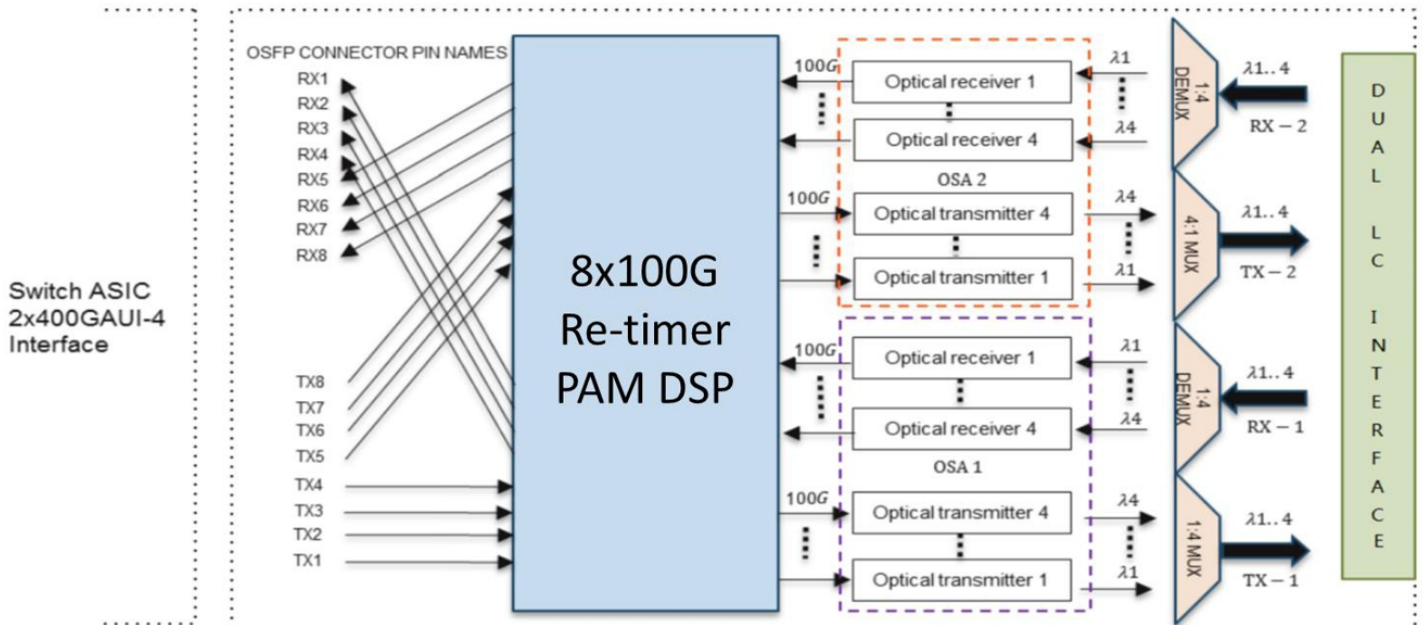
800G OSFP-2xFR4 2km Transceiver

ET8001-2FR4



Based on a 5nm DSP and cooled 1271/1291/1311/1331 EML laser technology, the ET8001-2FR4 is an OSFP 2 x 400G-FR4 transceiver module, compliant with the 800 Gigabit hot-pluggable OSFP Multi-Source Agreement (MSA) used for up to 8 x 100G PAM4 data rates over 2 km single mode fiber.

Optical PMD Illustration



Product Features

- Hot-pluggable OSFP form factor
- Compliant with IEEE Std 802.3cu 400GBASE-FR4
- Electrical interface compliant with 100Gbps per lane defined by IEEE 802.3ck
- 8 x 100G PAM4/8 x 50G PAM4 data rates
- OSFP MSA package with dual duplex-LC connectors
- Cooled 1271/1291/1311/1331 EML laser
- 5nm DSP for low power dissipation: <14 W
- I²C management interface compliant to CMIS Rev5.0 with integrated Digital Diagnostics Monitoring
- Control interface compliant with OSFP MSA
- Internal CDR on both transmitter and receiver channels
- Up to 2 km on 9/125um SMF
- Single 3.3 V power supply
- Class 1 laser safety certified
- Operating case temperature range: 0°C to 70 °C
- RoHS6 compliant

Applications

- High-speed Ethernet networks
- 2 x 400G-FR4 applications
- 2 x 200G-FR4 applications

Ordering Information

Part No.	Transmitter	Output Power OMA @106.25G	Receiver	Reach	OMA Sensitivity @106.25G	Case Temp.	DDMI	CMIS
ET8001-2FR4	Cooled EML	-0.2 ~ +3.7dBm	PIN	2km	<-4.6dBm	0~70°C	Yes	CMIS5.0

Absolute Maximum Ratings

Stresses in excess of the absolute maximum ratings can cause permanent damage to the device. These are absolute stress ratings only. Functional operation of the device is not implied at these or any other conditions in excess of those given in the operational sections of the data sheet. Exposure to absolute maximum ratings for extended periods can adversely affect device reliability.

Parameter	Symbol	Min.	Max.	Unit
Storage Temperature	T _S	-40	85	°C
Relative Humidity	RH	5	85	%
Supply Voltage	V _{CC}	-0.5	3.6	V

Recommended Operating Conditions

Parameter	Symbol	Min.	Typical	Max.	Unit
Operating Case Temperature	T _C	0	25	70	°C
Supply Voltage	V _{CC}	3.135	3.3	3.465	V
Data Rate per Channel		-	53.125±100ppm	V	GBd
Modulation Format			PAM4		

Transceiver Electrical Characteristics

Parameter	Symbol	Min.	Typical	Max.	Unit	Notes
Power Dissipation	P _D	-	-	14	W	
Input Differential Impedance	Z _{IN}	90	100	110	Ω	-
Differential Data Input Swing	V _{IN,P-P}	-	-	900	mV _{P-P}	-
DC Common-Mode Input Voltage		-350	-	2850	mV	

Receiver Electrical Characteristics

Parameter	Symbol	Min.	Typical	Max.	Unit	Notes
Output Differential Impedance	Z _O	90	100	110	Ω	
Differential Data Output Swing	V _{OUT,P-P}	-	-	900	mV _{P-P}	1

Dual Function Signals

Parameter	Symbol	Min.	Typical	Max.	Unit	Notes
INT/RSTn	V_INT/RSTn_1	0.000	0.000	1.000	V	2
	V_INT/RSTn_2	0.000	0.000	1.000	V	3
	V_INT/RSTn_3	1.500	1.900	2.250	V	4
	V_INT/RSTn_4	2.750	3.000	3.465	V	5
LPWn/PRSn	V_LPWn/PRSn_1	0.000	0.950	1.100	V	6
	V_LPWn/PRSn_2	1.400	1.700	2.250	V	7
	V_LPWn/PRSn_3	2.750	3.300	3.465	V	8

- Notes:
- Internally AC coupled, but requires an external 100Ω differential load termination.
 - INT/RSTn voltage for no module.
 - INT/RSTn voltage for module installed, H_RSTn=Low.
 - INT/RSTn voltage for module installed, H_RSTn=High, M_INT=Low.
 - INT/RSTn voltage for module installed, H_RSTn=High, M_INT= High.
 - LPWn/PRSn voltage for module installed, H_LPWn=Low.
 - LPWn/PRSn voltage for module installed, H_LPWn =High.
 - LPWn/PRSn voltage for no module.

Transmitter Optical Characteristics

Parameter	Symbol	Minimum	Typical	Maximum	Unit	Notes
Average Launch Power, each lane	P_0 (100G)	-3.2		4.4	dBm	1
	P_0 (50G)	-4.2	-	4.7	dBm	1
100G OMA per Channel	TDECQ<1.4dB	-0.2	-	3.7	dBm	1
	$1.4 \leq \text{TDECQ} \leq 3.4\text{dB}$	$-1.6 + \text{TDECQ}$	-	3.7	dBm	1
50G OMA per Channel	P_1 (50G)	-1.2		4.5	dBm	1
Extinction Ratio	ER	3.5	-	-	dB	-
Center Wavelength Range	CH1	1264.5	1271	1277.5	nm	
	CH2	1284.5	1291	1297.5	nm	
	CH3	1304.5	1311	1317.5	nm	
	CH4	1324.5	1331	1337.5	nm	
	CH5	1264.5	1271	1277.5	nm	
	CH6	1284.5	1291	1297.5	nm	
	CH7	1304.5	1311	1317.5	nm	
	CH8	1324.5	1331	1337.5	nm	
Side Mode Suppression Ratio	SMSR	30	-	-	dB	
PAM4 TDECQ		-	-	3.4	dB	
Optical Return Loss Tolerance	ORLT			17.1	dB	
Pout of OFF Transmitter, each lane	Poff			-30	dBm	

Notes:

1. Class 1 laser safety per FDA/CDRH and EN (IEC) 60825 regulations.

Receiver Optical Characteristics

Parameter	Symbol	Minimum	Typical	Maximum	Unit	Notes
Optical Wavelength Range	CH1	1264.5	1271	1277.5	nm	
	CH2	1284.5	1291	1297.5	nm	
	CH3	1304.5	1311	1317.5	nm	
	CH4	1324.5	1331	1337.5	nm	
	CH5	1264.5	1271	1277.5	nm	
	CH6	1284.5	1291	1297.5	nm	
	CH7	1304.5	1311	1317.5	nm	
	CH8	1324.5	1331	1337.5	nm	
100G Receiver Sensitivity (OMA)	RxSENS1			-4.6	dBm	1
50G Receiver Sensitivity (OMA)	RxSENS2			-5.5	dBm	2
Receiver Overload (P_{avg})	P_{OL}	4.4		-	dBm	1
Receiver Reflectance				-26	dB	
RSSI Accuracy		-2		2	dB	
LOS De-Assert	LOSD			-10	dBm	
LOS Assert	LOSA	-16			dBm	
LOS Hysteresis		0.5			dB	

Notes:

1. Measured with PRBS31Q test pattern, 53.125GBd, PAM4, BER<2.4E-4.

2. Measured with PRBS31Q test pattern, 26.5625GBd, PAM4, BER<2.4E-4.

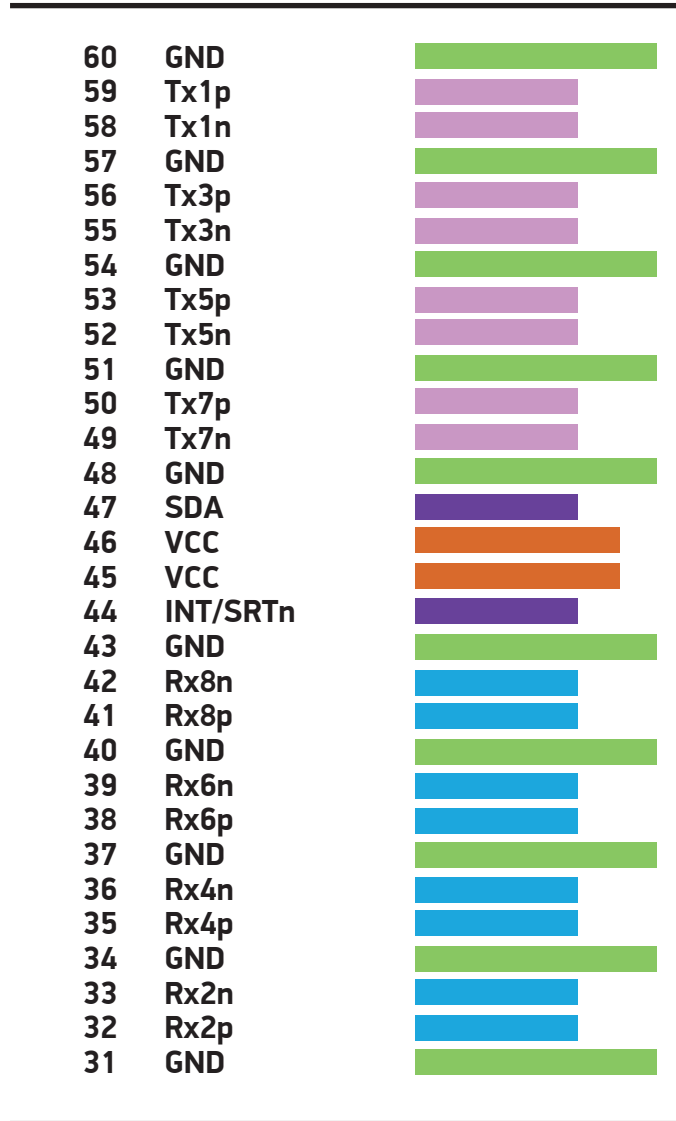
Electrical Pin Description

Pin	Name	Function/Description	Logic	Direction	Plug Sequence	Notes
1	GND	Ground			1	
2	TX2p	Transmitter Data Non-Inverted	CML-I	Input from Host	3	
3	TX2n	Transmitter Data Inverted	CML-I	Input from Host	3	
4	GND	Ground			1	
5	TX4p	Transmitter Data Non-Inverted	CML-I	Input from Host	3	
6	TX4n	Transmitter Data Inverted	CML-I	Input from Host	3	
7	GND	Ground			1	
8	TX6p	Transmitter Data Non-Inverted	CML-I	Input from Host	3	
9	TX6n	Transmitter Data Inverted	CML-I	Input from Host	3	
10	GND	Ground			1	
11	TX8p	Transmitter Data Non-Inverted	CML-I	Input from Host	3	
12	TX8n	Transmitter Data Inverted	CML-I	Input from Host	3	
13	GND	Ground			1	
14	SCL	2-Wire Serial Interface Clock	LVCMOS-I/O	Bi-directional	3	1
15	VCC	+3.3 V Power		Power from Host	2	
16	VCC	+3.3 V Power		Power from Host	2	
17	LPWn/PRSn	Low-Power Mode/Module Present	Multi-Level	Bi-directional	3	2
18	GND	Ground			1	
19	RX7n	Receiver Data Inverted	CML-O	Output to Host	3	
20	RX7p	Receiver Data Non-Inverted	CML-O	Output to Host	3	
21	GND	Ground			1	
22	RX5n	Receiver Data Inverted	CML-O	Output to Host	3	
23	RX5p	Receiver Data Non-Inverted	CML-O	Output to Host	3	
24	GND	Ground			1	
25	RX3n	Receiver Data Inverted	CML-O	Output to Host	3	
26	RX3p	Receiver Data Non-Inverted	CML-O	Output to Host	3	
27	GND	Ground			1	
28	RX1n	Receiver Data Inverted	CML-O	Output to Host	3	
29	RX1p	Receiver Data Non-Inverted	CML-O	Output to Host	3	
30	GND	Ground			1	

Electrical Pin Description

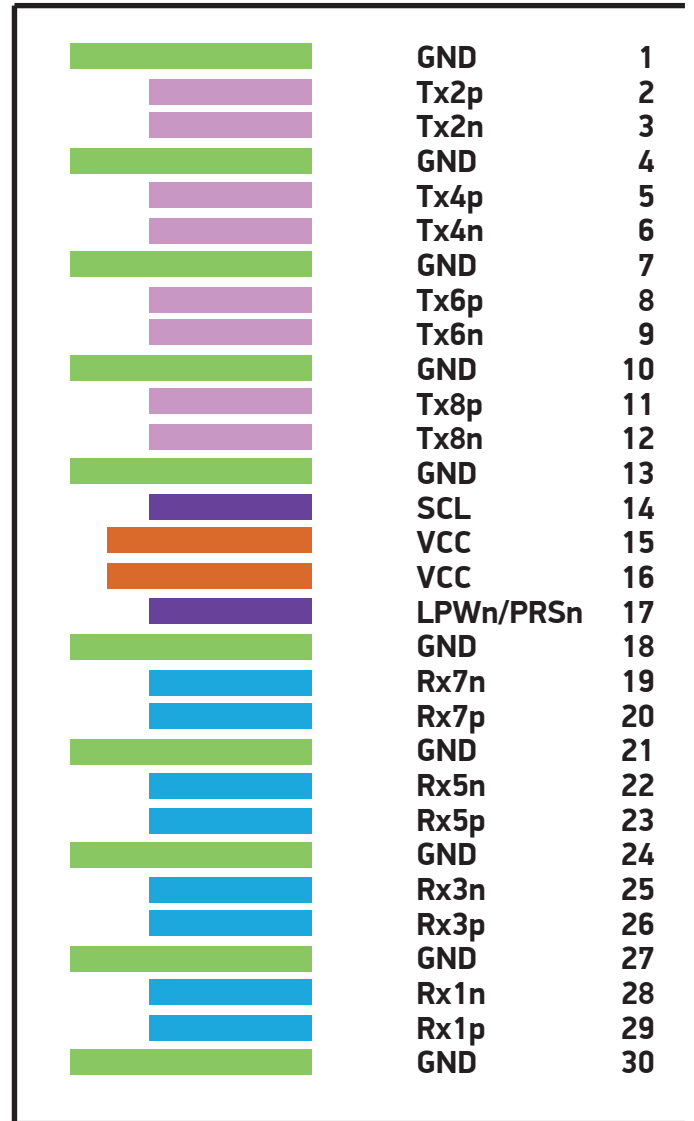
Pin	Name	Function/Description	Logic	Direction	Plug Sequence	Notes
31	GND	Ground			1	
32	RX2p	Receiver Data Non-Inverted	CML-O	Output to Host	3	
33	RX2n	Receiver Data Inverted	CML-O	Output to Host	3	
34	GND	Ground			1	
35	RX4p	Receiver Data Non-Inverted	CML-O	Output to Host	3	
36	RX4n	Receiver Data Inverted	CML-O	Output to Host	3	
37	GND	Ground			1	
38	RX6p	Receiver Data Non-Inverted	CML-O	Output to Host	3	
39	RX6n	Receiver Data Inverted	CML-O	Output to Host	3	
40	GND	Ground			1	
41	RX8p	Receiver Data Non-Inverted	CML-O	Output to Host	3	
42	RX8n	Receiver Data Inverted	CML-O	Output to Host	3	
43	GND	Ground			1	
44	INT/RSTn	Module Interrupt / Module Reset	Multi-Level	Bi-directional	3	2
45	VCC	+3.3 V Power		Power from Host	2	
46	VCC	+3.3 V Power		Power from Host	2	
47	SDA	2-Wire Serial Interface Data	LVCMOS-I/O	Bi-directional	3	1
48	GND	Ground			1	
49	TX7n	Transmitter Data Inverted	CML-I	Input from Host	3	
50	TX7p	Transmitter Data Non-Inverted	CML-I	Input from Host	3	
51	GND	Ground			1	
52	TX5n	Transmitter Data Inverted	CML-I	Input from Host	3	
53	TX5p	Transmitter Data Non-Inverted	CML-I	Input from Host	3	
54	GND	Ground			1	
55	TX3n	Transmitter Data Inverted	CML-I	Input from Host	3	
56	TX3p	Transmitter Data Non-Inverted	CML-I	Input from Host	3	
57	GND	Ground			1	
58	TX1n	Transmitter Data Inverted	CML-I	Input from Host	3	
59	TX1p	Transmitter Data Non-Inverted	CML-I	Input from Host	3	
60	GND	Ground			1	

Top Side



viewed from top

Bottom Side



viewed from bottom

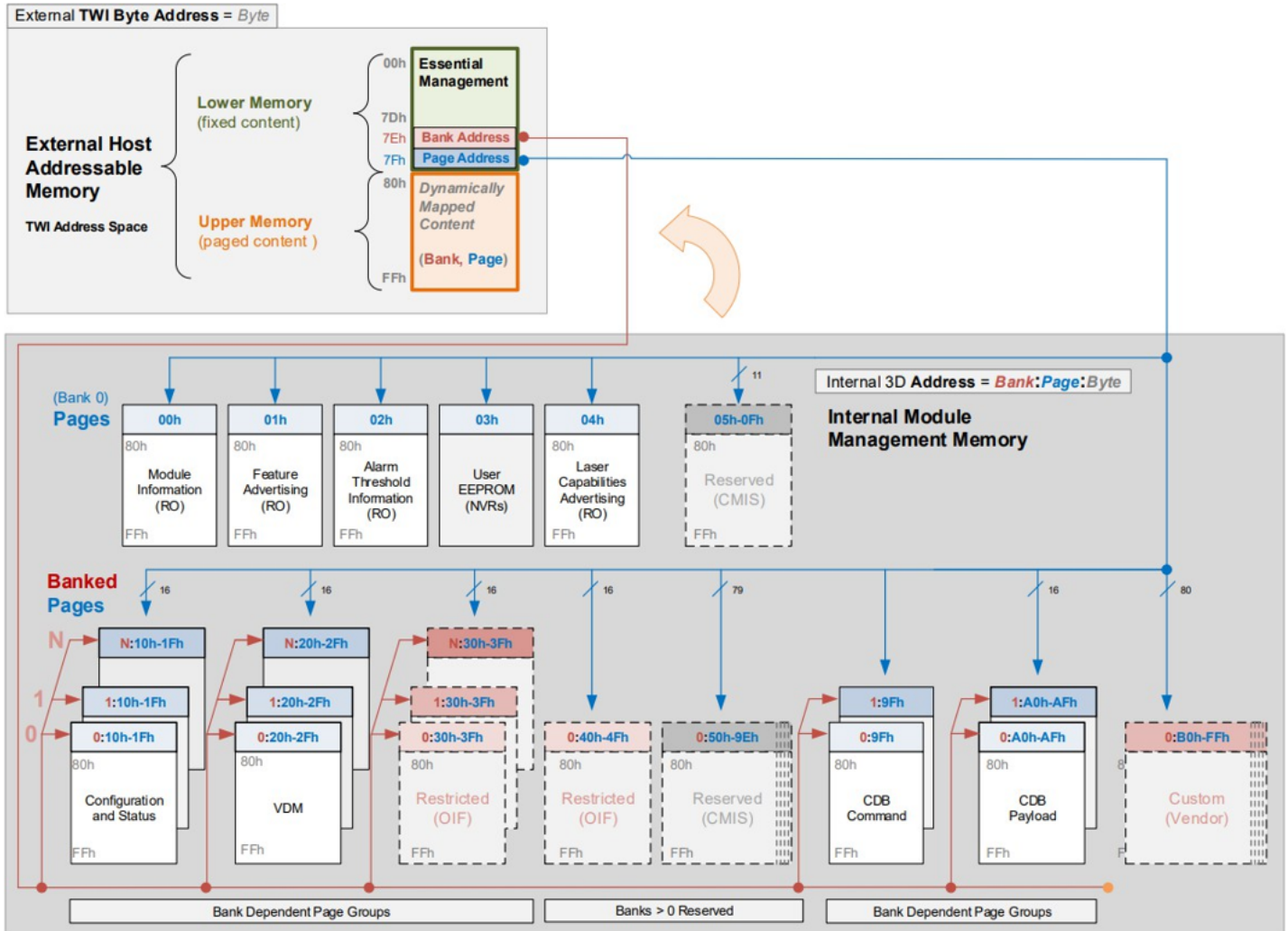
Module Card Edge

Notes:

1. Open-Drain with pull-up resistor on host.
2. See pin description of OSFP MSA for required circuit.

Digital Diagnostic Memory Map

Digital Diagnostics Monitoring is available on all OSFP products. A 2-wire serial interface provides users access to the module with a high clock frequency up to 100 KHz. The control interface and memory map of the OSFP modules are compliant with CMIS (Common Management Interface Specification) for pluggable transceivers. The memory space is arranged into a lower 128 bytes page and multiple upper space pages.



EEPROM Serial ID Memory Contents

CMIS transceivers define the lower 128 bytes of the two-wire serial bus address space for access to a variety of measurements and diagnostic functions, a set of control functions, and a means to select which of the various upper memory map pages are accessed on subsequent accesses. This portion of the address space is always directly addressable and thus is chosen for monitoring and control functions that may need to be repeatedly accessed. The lower page is subdivided into several areas as illustrated.

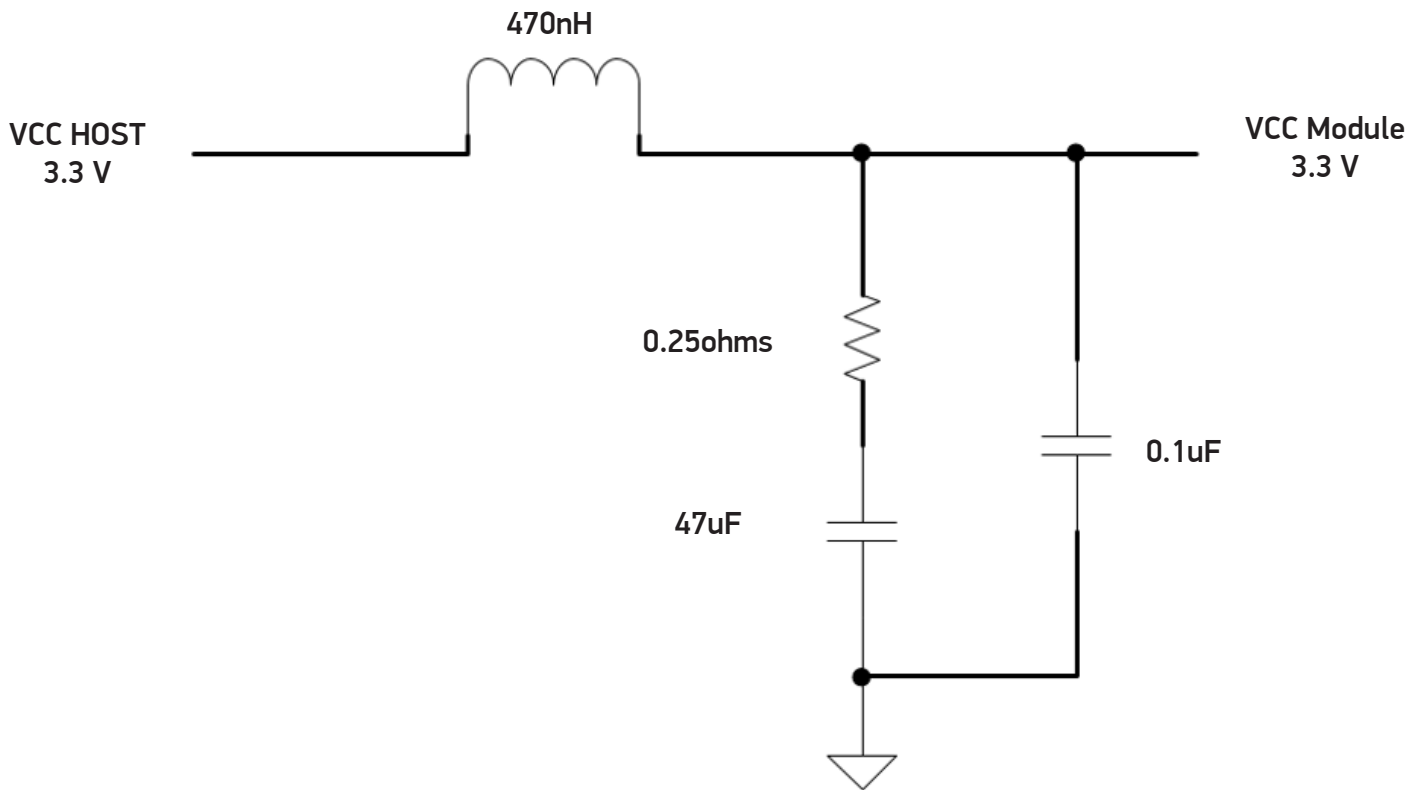
Address	Size	Subject Area	Description
0-2	3	Management Characteristics	Basic information about how this module is managed
3	1	Global Status Information	Current state of module, interrupt signal status
4-7	4	Flags Summary	Summary of flags set on specific pages (and banks)
8-13	6	Module-Level Flags	Flags that are not lane or data path specific
14-25	12	Module-Level Monitors	Monitors that are not lane or data path specific
26-30	5	Module-Level Controls	Controls applicable to the module as a whole
31-36	6	Module-Level Masks	Mask bits for the Module-Level Flags
37-38	2	CDB Command Status	Status of current CDB command
39-40	2	Module Active Firmware Version	Module Active Firmware Version number
41	1	Fault Information	Fault cause for entering module fault state
42-63	22	-	Reserved[22]
64-84	21	-	Custom[21]
85-117	33	Supported Applications Advertising	Applications supported by module data path(s)
118-125	8	Password Facilities	Password entry and change (mechanism only)
126-127	2	Page Mapping	Page mapping into host addressable upper memory

Data Address	Name of Field	Contents (Hex)	Description
128	Identifier	19	OSFP
		45 64 67 65	
129-144	Vendor Name	63 6F 72 65	Edgecore (ASCII)
		20 20 20 20	
		20 20 20 20	
145-147	Vendor OUI	5A ED 67	-
		45 54 38 30	"ET8001-2FR4" (ASCII)
148-163	Vendor PN	30 31 2D 32	
		46 52 34 20	
		20 20 20 20	
164-165	Vendor REV	31 30	1.0 (ASCII)
		32 33 32 38	
166-181	Vendor SN	31 30 30 30	"2328100001"
		30 31 20 20	
		20 20 20 20	
182-189	Date Code	32 33 30 31	Year (2 bytes), Month (2 bytes), Day (2 bytes)
		31 36 20 20	"230616"
190-199	CLEI Code		
200-201	Module Power Characteristics	C0 38	Power class 7, 14W Maximum
202	Cable Assembly Link Length	00	
203	Connector Type	07	LC
204-209	Copper Cable Attenuation	00 00 00 00	-
		00 00	
210	Media Lane Information	00	
211	Cable Assembly Information	00	
212	Media Interface Technology	06	1310nm EML
213-220	Reserved	00	
221	Custom	00	
222	Checksum	xx	
223-255	Custom Info NV	00	

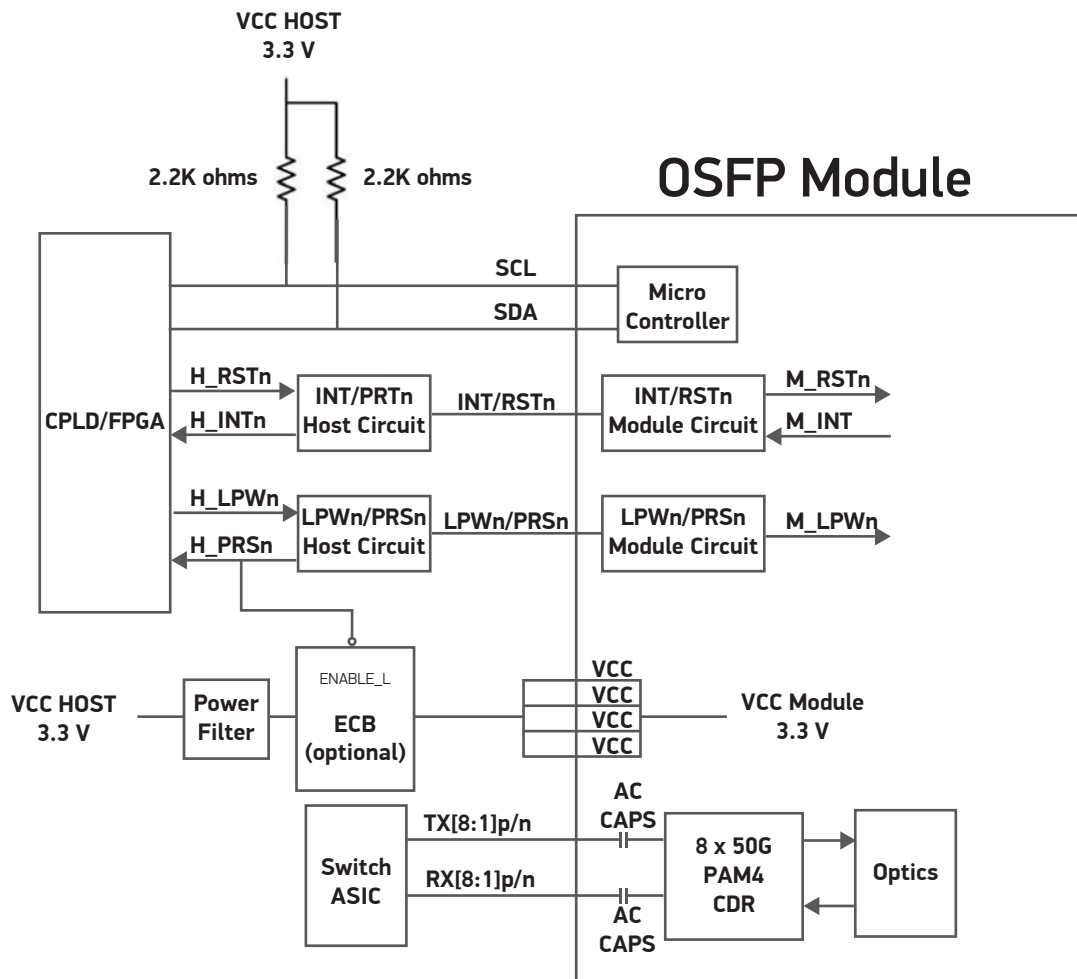
Note:

1. The "xx" byte should be filled in according to practical case. For more information, please refer to the related document of CMIS transceivers.

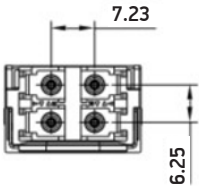
Recommended Host Board Power Supply Filter Network



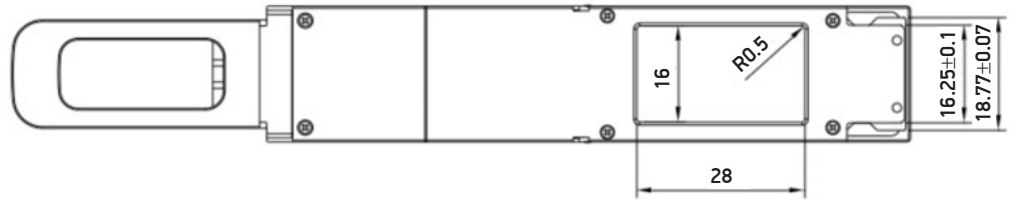
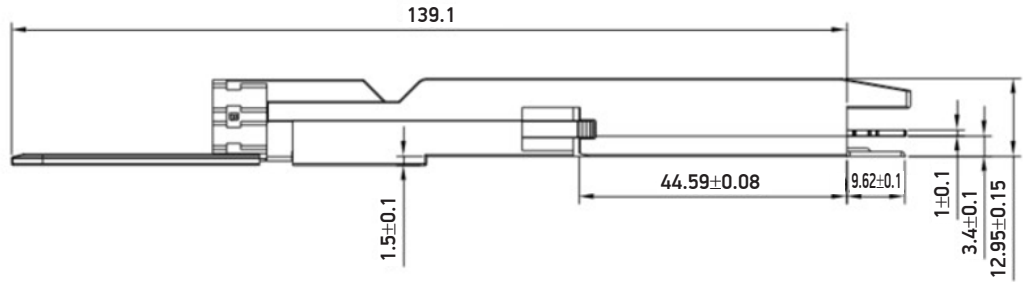
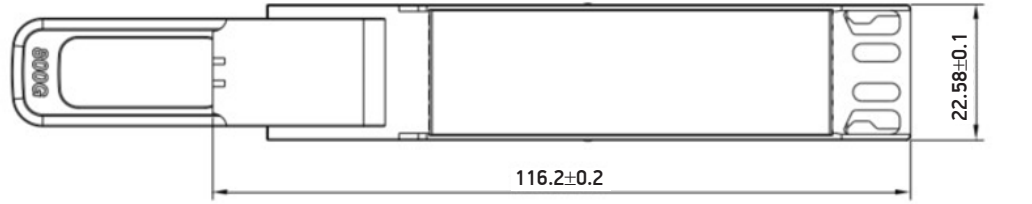
Recommended Application Interface Block Diagram



Mechanical Specifications



Unit: mm



Unit: mm

Warranty

Please check www.edge-core.com for the warranty terms in your country.

For More Information

To find out more about Edgecore Networks Corporation products and solutions, visit www.edge-core.com.

About Edgecore Networks Corporation

Edgecore Networks Corporation is in the business of providing innovative network solutions. In the service provider network, in the data center or in the cloud, Edgecore Networks Corporation delivers the software and systems that transform the way the world connects. Edgecore Networks Corporation serves customers and partners worldwide. Additional information can be found at www.edge-core.com.

Edgecore Networks Corporation is a subsidiary of Accton Technology Corporation, the leading network ODM company. The Edgecore data center switches are developed and manufactured by Accton.

To purchase Edgecore Networks solutions, please contact your Edgecore Networks Corporation representatives at +886 3 563 8888 (HQ) or +1 (949)-336-6801 or authorized resellers.

© Copyright 2024 Edgecore Networks Corporation. The information contained herein is subject to change without notice. This document is for informational purposes only and does not set forth any warranty, expressed or implied, concerning any equipment, equipment feature, or service offered by Edgecore Networks Corporation. Edgecore Networks Corporation shall not be liable for technical or editorial errors or omissions contained herein.