

# Quick Start Guide

4-Post Rack Slide-Rail Kit  
RKIT-AI-2R-8-SLIDE



www.edge-core.com

## Package Contents



①



②



③



④



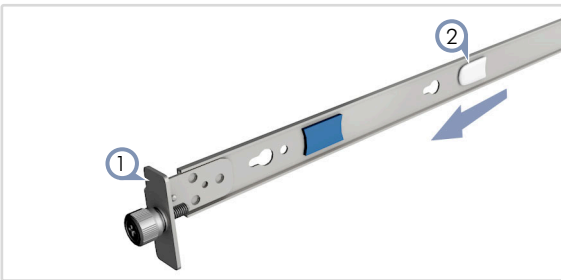
⑤

1. 2 x Slide-rails
2. 4 x M4x4 screws
3. 2 x M5x13 rack screws

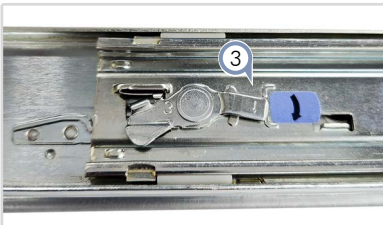
4. 8 x Rack post round hole pins
5. Documentation—*Quick Install Guide* (this document)

## Installation

### 1 Release the Inner Slide-Rails

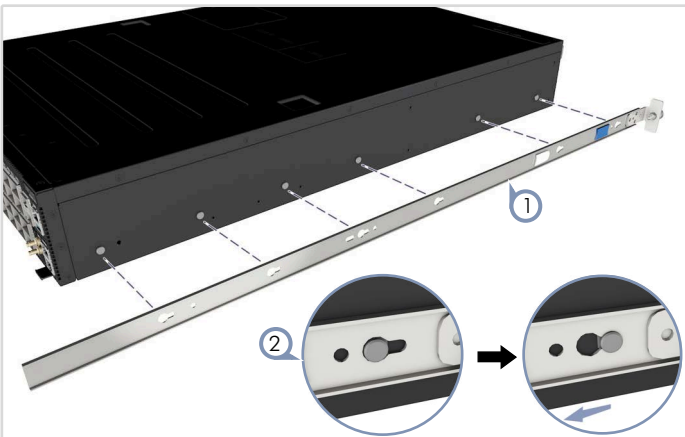


1. For each rack-rail assembly, pull the slide-rail out to its full extended position.
2. Pull the white release tab on the inside of the inner slide-rail to remove it from the assembly.

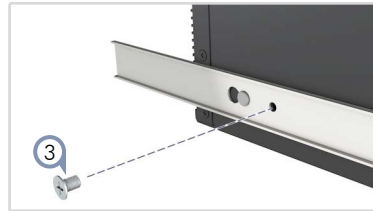


3. Push the lever on the middle rails to retract them back into the rail assemblies.

### 2 Attach the Inner Slide-Rails to the Switch

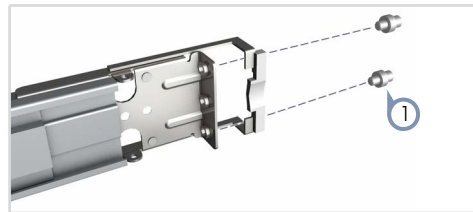


1. Position each inner slide-rail on the side of the switch so that it aligns with the six mounting stand-offs.
2. Place each rail onto the mounting stand-offs and then slide it back until it clicks in place and is secured.

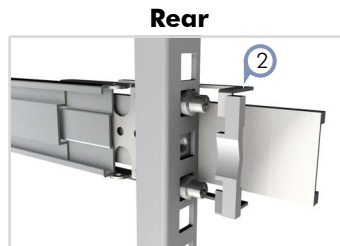


3. Use the M4 screws to provide additional security for the inner rail attachment to the switch. Tighten the screws to a torque of 15-20 Kgf-cm.

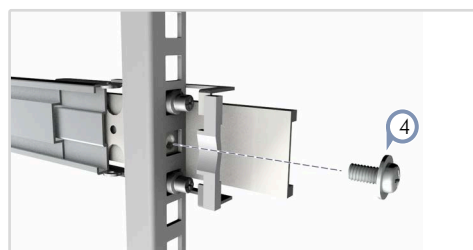
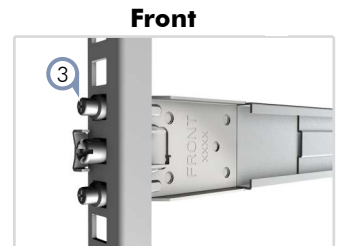
### 3 Mount the Slide-Rail Assemblies in the Rack



1. Replace the rack hole pins on the rail assemblies for “round-hole” rack posts. Tighten the pins to a torque of 20-25 Kgf-cm. (Rack square hole pins are pre-installed.)



2. For each rack-rail assembly, attach the rear part of the rails to the rear rack posts.
3. Extend the front part of each rack-rail assembly until it fits into the front rack post.

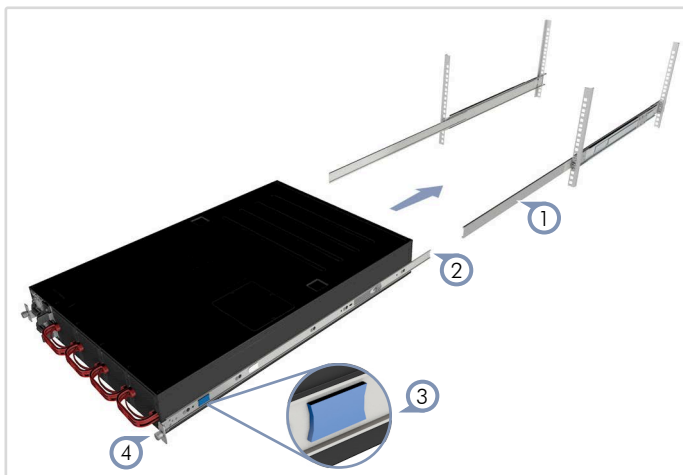


4. Secure each rail assembly to the rear post using the included M5 rack screws. Tighten the screws to a torque of 20-25 Kgf-cm.



\* 1 5 0 2 0 0 0 2 7 8 0 A R 0 1 \*

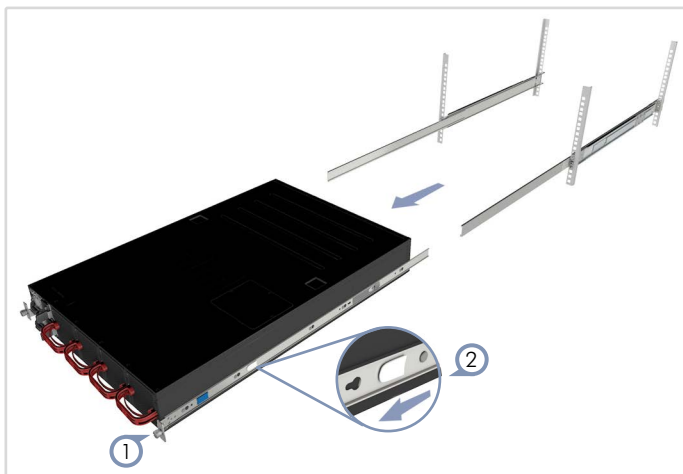
#### 4 Mount the Switch in the Slide-Rail Assemblies



1. Pull the middle rails out to their full extended locked position. Ensure the inner ball bearing retainers are located at the front of the middle rails.
2. Slide the ends of the inner slide-rails attached to the switch into the rack-rail assemblies.
3. Push the blue release tabs on each inner slide-rail to enable the switch to slide into the rack.
4. Secure the switch to the rack-rail assembly using the inner rail thumb screws.

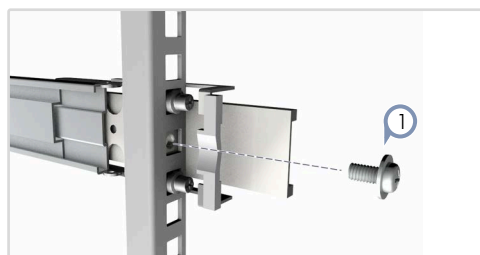
### Uninstall

#### 1 Remove the Chassis From the Rack



1. Unscrew both thumb screws on the inner rails and slide the chassis out to its full extended locked position.
2. Pull the white release tabs on each inner rail to remove the chassis from the slide-rail assemblies.

#### 2 Uninstall the Slide-Rail Assemblies

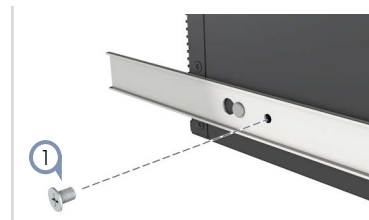


1. Unscrew and remove the rear post M5 rack screws from each rail assembly.

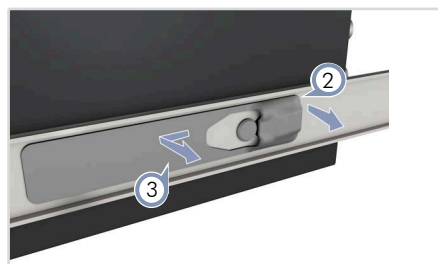


2. At the front of each rack-rail assembly, pull the lever to release the assembly from the front rack post.
3. At the rear of each rack-rail assembly, push the lever to release the assembly from the rear rack post.

#### 3 Remove the Inner Slide-Rails From the Switch



1. Unscrew and remove the M4 security screws from the inner rails.



2. At the rear end of each inner rail, pull up the spring latch to release the rail from the switch stand-offs.
3. Slide the inner rail forward to release it from the switch.